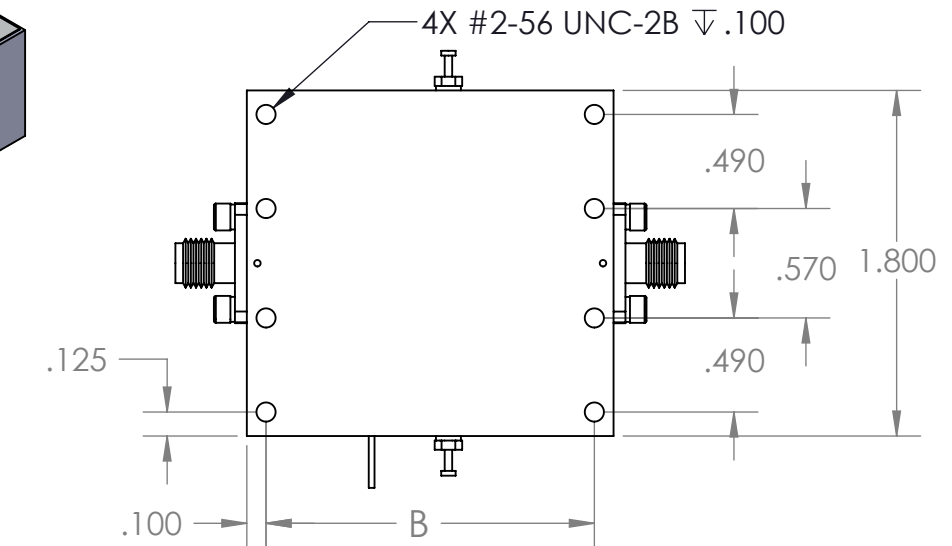
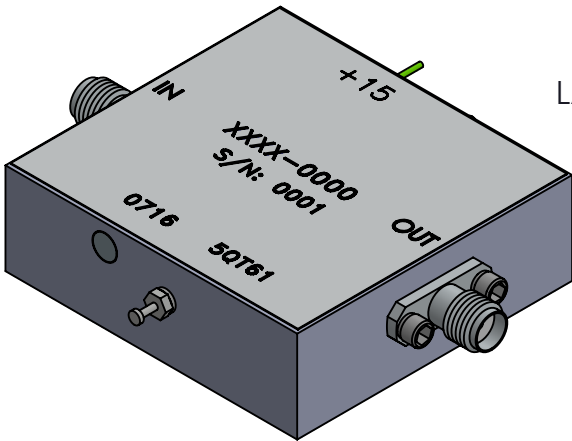
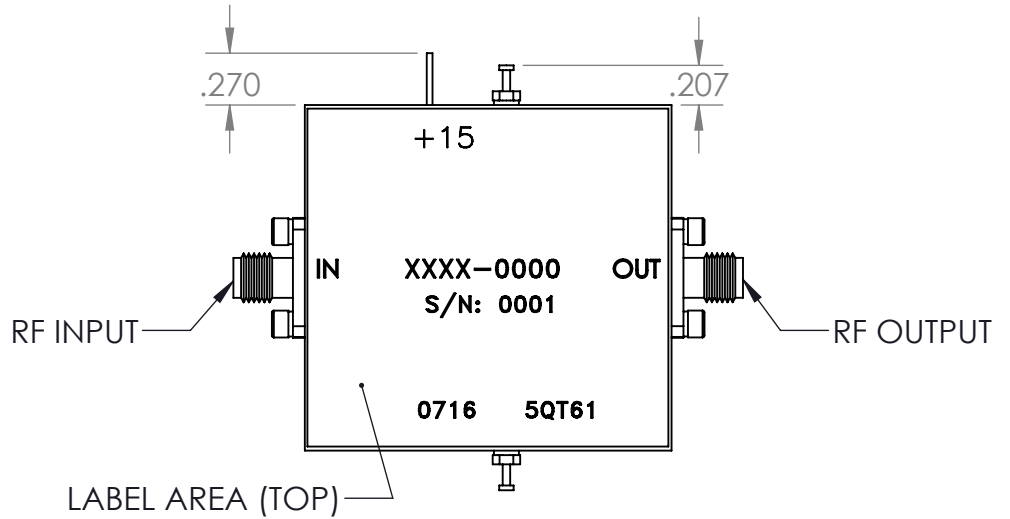
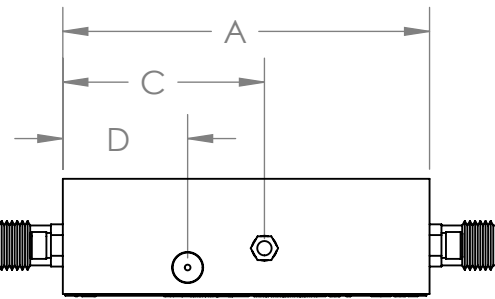
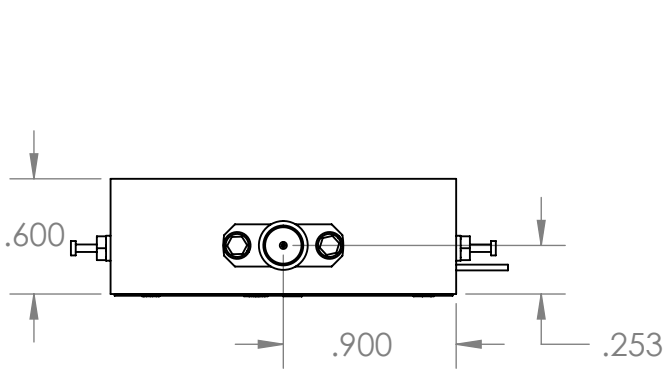


WT PROPRIETARY RELEASE SUBJECT TO CHANGE



COAX CONNECTOR OPTIONS:
SMA, 2.9mm, 2.4mm

WAVEGUIDE OPTION AVAILABLE
UPON CUSTOMER REQUEST

APPLICATION NOTES:

- UNLESS OTHERWISE SPECIFIED
- 1) ALL DIMENSION TOLERANCES $\pm .010$ AFTER PLATING
- 2) RF MALE CONNECTORS ARE AVAILABLE UPON REQUEST
- 3) INTERPRET DRAWING PER ASME Y14.5M-1994

TYPE	A	B	C	D
4	1.910	1.710	1.050	.650

Wright Technologies Inc.

TITLE

PKD-R14 SERIES