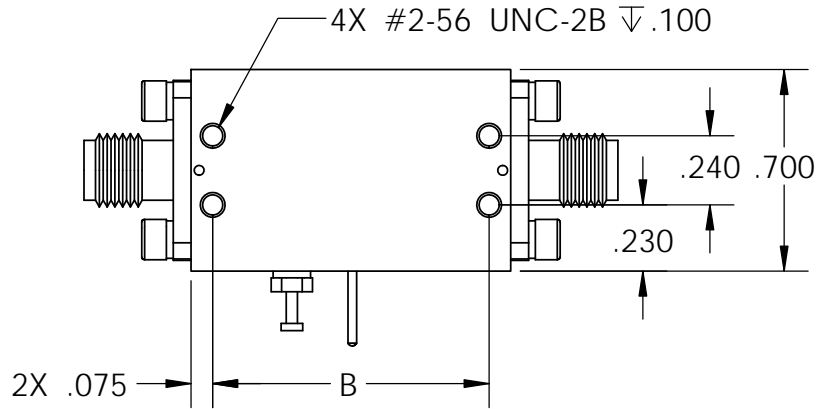
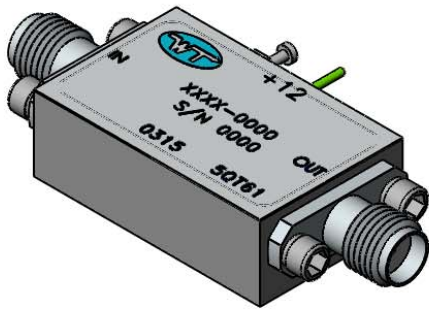
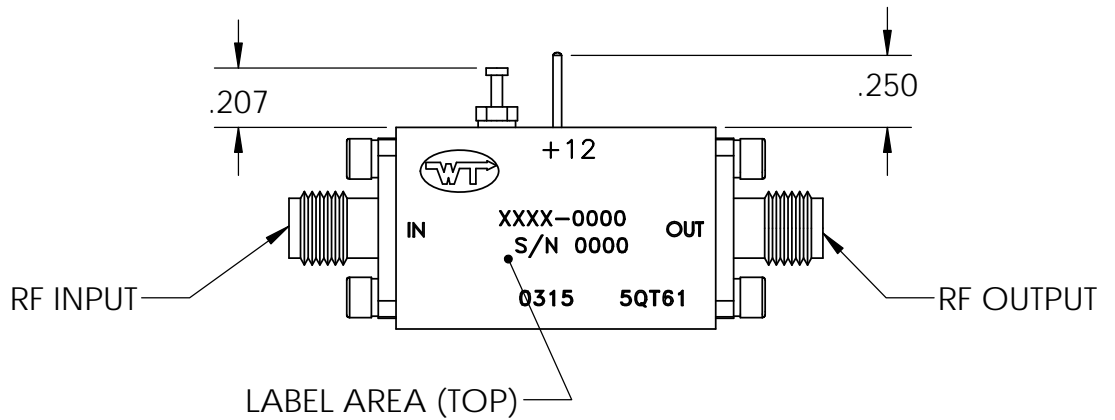
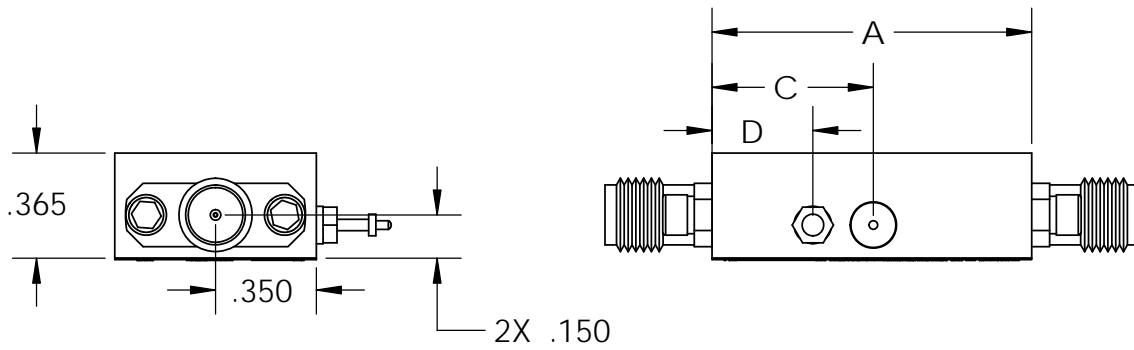


WT PROPRIETARY RELEASE SUBJECT TO CHANGE



COAX CONNECTOR OPTIONS:
SMA, 2.9mm, 2.4mm

WAVEGUIDE OPTION AVAILABLE
UPON CUSTOMER REQUEST

APPLICATION NOTES:

UNLESS OTHERWISE SPECIFIED

- 1) ALL DIMENSION TOLERANCES $\pm .010$ AFTER PLATING
- 2) RF CONNECTORS ARE K FEMALE
- 3) INTERPRET DRAWING PER ASME Y14.5M-1994

TYPE	A	B	C	D
3	.910	.760	.560	.350
4	1.110	.960	.560	.350
6	1.510	1.360	.960	.750
8	1.910	1.760	1.360	1.150

Wright Technologies Inc.

TITLE

WT KK, VV SERIES