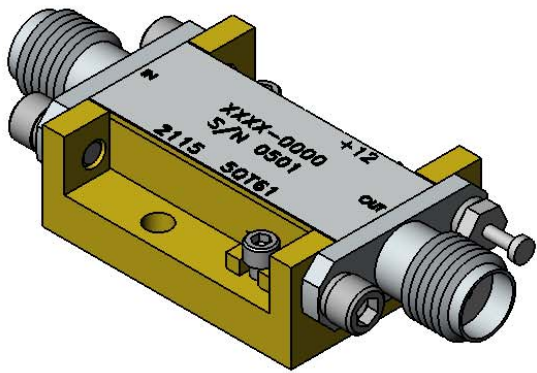
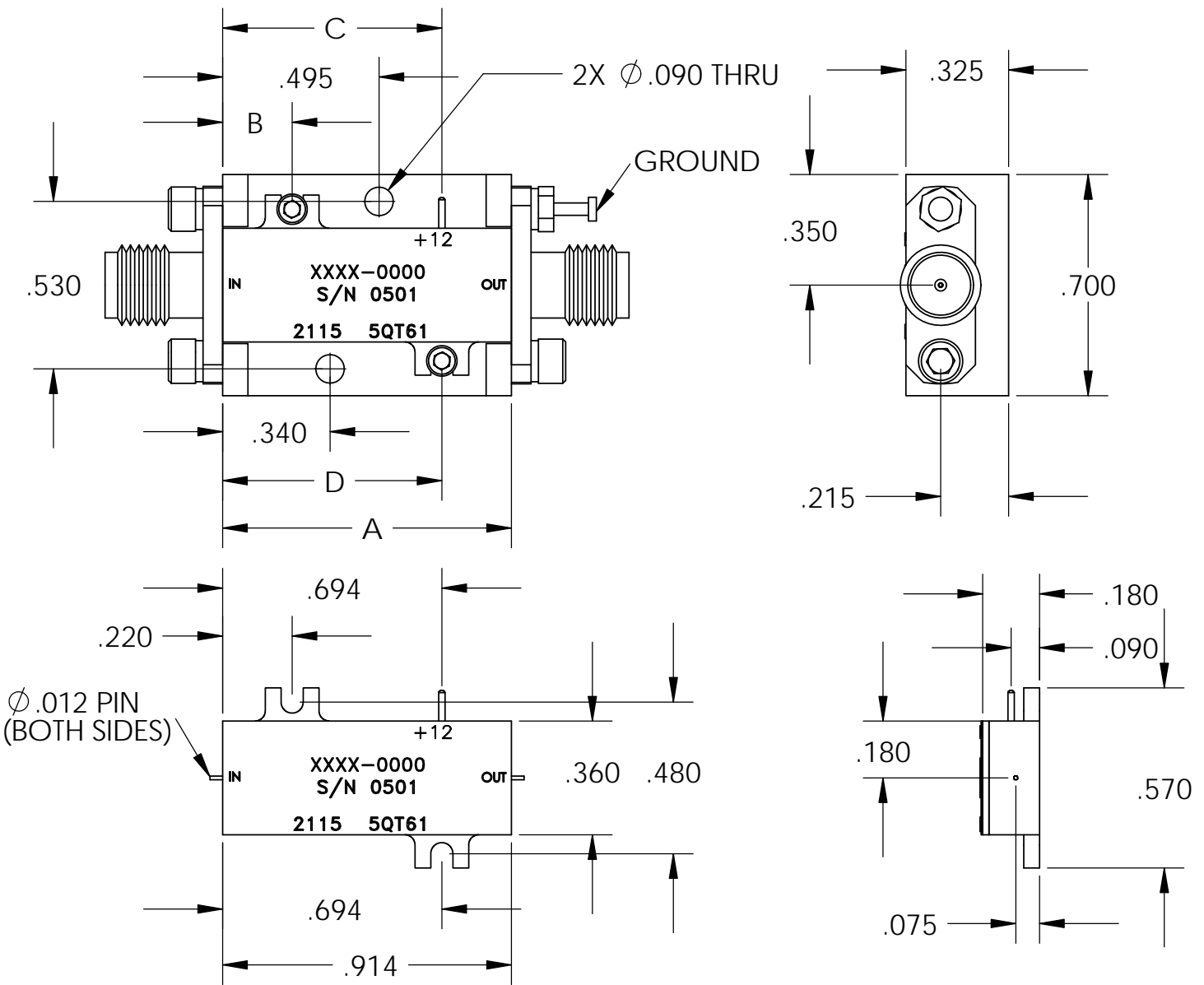


WT PROPRIETARY RELEASE SUBJECT TO CHANGE



COAX CONNECTOR OPTIONS: SMA, 2.9mm, 2.4mm

TYPE	A	B	C	D
4	.640	.220	.430	.420
5	.750	.220	.575	.530
6	.914	.220	.694	.694
7	1.132	.220	.912	.912

APPLICATION NOTES:  
 UNLESS OTHERWISE SPECIFIED  
 1) ALL DIMENSION TOLERANCES  
 ±.010 AFTER PLATING  
 2) INTERPRET DRAWING:  
 PER ASME Y14.5M-1994

Wright Technologies Inc.

TITLE

WT PMQ SERIES